



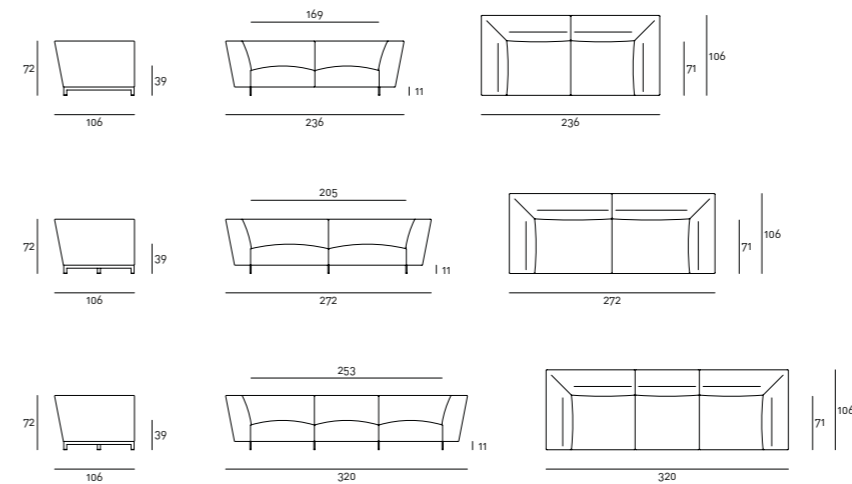
## NEERA

design Piero Lissoni

Linear sofa with seat, armrest and backrest elements jointed by a steel frame with epoxy polyester powder coating.  
 Seat, armrest and backrest frame in poplar plywood and fir blockboard, with padding in differentiated density polyurethane foam, covered with a lining made of polyester fiber, with needle-treatment and resin-coated, bonded to a polyamide velveteen backing.  
 Seat cushion in differentiated density polyurethane foam with individually pocketed spring insert.

Steel profile brackets, 40 x 15 mm section, with epoxy polyester powder coating in Burnished finish (standard) or, upon request, in Gunmetal Grey. Floor support is provided by plastic tips.  
 Fabric or leather upholstery, fully removable with zippers and Velcro fastenings.  
 Seat depth: 71 cm.

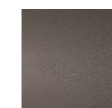
### Technical Drawings Sofa



### Loose Cushion



### Feet



Burnished  
Painting

### Notes

For information on the compatibility of the collection's coverings with each product, please refer to the [compliance sheet](#) provided in the "Materials" section of the website.

For leather coverings the "Leather A" or "Leather B" Maintenance Kit is included with the product.

