



BY APPOINTMENT TO  
THE ROYAL DANISH COURT

# CARL HANSEN & SØN

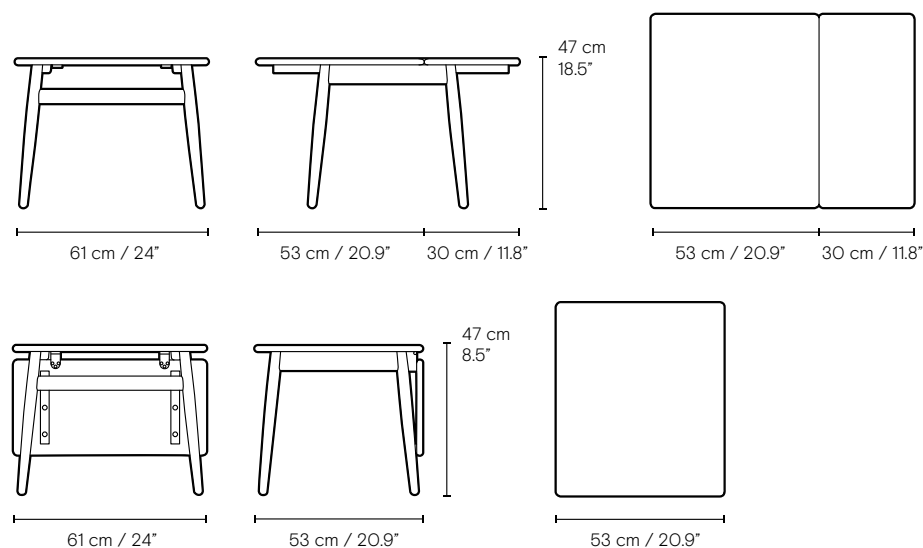


PRODUCT DATA SHEET

ND55

Carl Hansen & Søn's ND55 Coffee Table, designed in 1955, features a refined silhouette with rounded edges and brushed brass details. A practical pull-out extension leaf is seamlessly integrated, offering flexible table space when needed. The design balances simplicity and function, with crafted details that enhance everyday use. Made from solid oak or walnut, each table is meticulously manufactured in Denmark to the highest standards of craftsmanship. The ND55 Coffee Table is crafted from FSCTM-certified oak or walnut, paired with brushed brass details. The table's solid wooden surface and rounded edges are meticulously finished to enhance the wood's natural grain. The extension leaf integrates seamlessly within the tabletop, adding flexible functionality while preserving the table's understated expression.

**SPECIFICATIONS**



Packaging dimensions and weight	Height	Width	Length	Cbm	Tare	NettoWE	Gross	Cartons
ND55	520 mm	640 mm	720 mm	0.24	3.1 kg	9.4 kg	12.5 kg	1/1

**Certifications**

FSC®-certified oak (FSC C135991)

**Materials**

