



BY APPOINTMENT TO
THE ROYAL DANISH COURT

CARL HANSEN & SØN

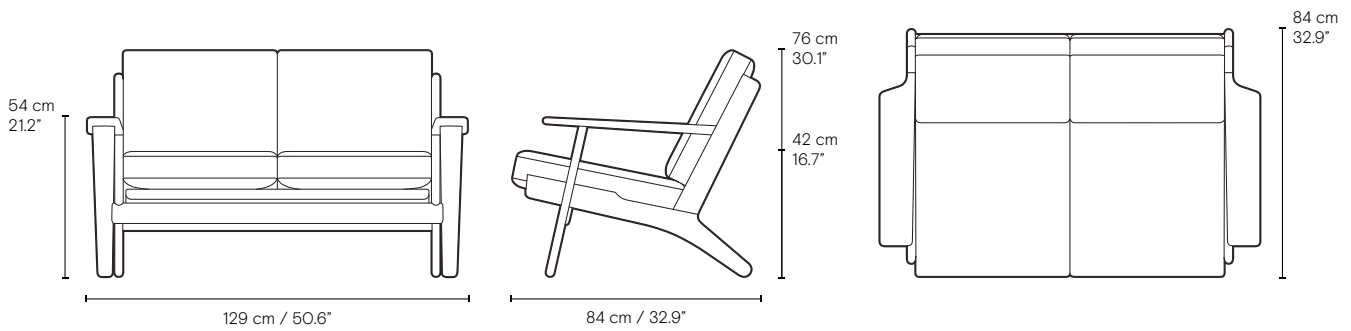


PRODUCT DATA SHEET

CH292

Carl Hansen & Søn's CH292 sofa, designed by Hans J. Wegner in 1962, features simple forms with wide armrests, visible slats, and dynamic legs. The CH292 sofa is crafted from FSC®-certified oak, paired with upholstered seat and back cushions in premium fabric or leather. The exposed wooden frame is hand-finished to a smooth surface, enhancing the natural beauty of the wood. The upholstered elements are designed for comfort and ease of maintenance, offering both functional and aesthetic appeal.

SPECIFICATIONS



Packaging dimensions and weight	Height	Width	Length	Cbm	Tare	NettoWE	Gross	Cartons
CH292	850 mm	860 mm	1370 mm	1	52.5 kg	22 kg	74.5 kg	1/1

Certifications

FSC®-certified oak (FSC C135991)

Materials

Upholstery consumption, made to order.

- Variant
-  Oak, oil
 -  Oak, soap
 -  Oak, laquer
 -  Oak, whiteoil
 -  Black