

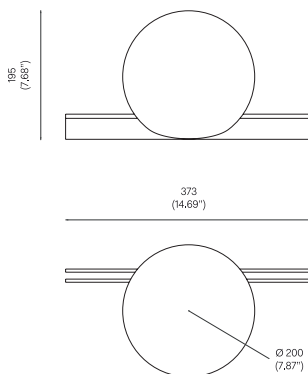


## REST TABLE, 2015

Satin Brass  
Mouth blown opaline sphere  
Black braided flex, inline switch



### OVERALL DIMENSIONS



### MATERIAL/FINISH



Unlacquered Satin Brass  
- Limited Stock

### LIGHT SOURCE SPECIFICATIONS

120V G9 3.5W LED / 330lm / 2700K / 80CRI  
240V G9 4W LED / 360lm / 2700K / 97CRI  
Maximum wattage: 5W

### PRODUCT SPECIFICATIONS

Input voltage: 120V / 240V  
Maximum wattage: 5W  
Product weight: 3kg  
IP 20 Indoor use only  
(suitable for bathroom Zone 3)

Provided with 2500mm cord set and  
dimmer switch.

### CLEANING INSTRUCTIONS

Before cleaning, lighting fixtures must be turned off and unplugged from mains electricity. Whilst cleaning please take care and use the gloves provided.

Satin Brass: Use a Scotch Brite pad and gently rub the pad in the direction of the grain. Repeat until the natural patina is removed. On rubbing the Scotch Brite to the brass, grains will occur. The colour of the product will temporarily get lighter until it re-oxidises.

Opaline Glass: Remove the opaline glass from the product. Using a lightly damp cloth, clean only the outside of the sphere. Only put the glass sphere back on the product once it is fully dry.