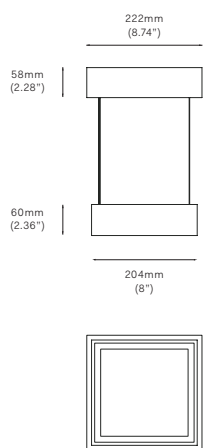


FRAME 1X1
PENDANT, 2025

Polished Nickel-Plated Aluminium
White Painted Internal Surfaces
3m flex length



OVERALL DIMENSIONS



MATERIAL/FINISH



Polished Nickel-Plated Aluminium

LIGHT SOURCE SPECIFICATIONS

Integrated LED module 6W
490lm (85% down, 15% up) / 2700K / 90+CRI

PRODUCT SPECIFICATIONS

Input voltage: 120V / 240V
Maximum wattage: 9W
Total light output:
340lm / 2700K / 90+CRI
120V / 240V dimmable LED triac, Dali2, 0/10V
Product weight: 3.5kg
IP 20 Indoor use only
(suitable for bathroom Zone 3)

Supplied with 3000mm long flex and steel cables.

CLEANING INSTRUCTIONS

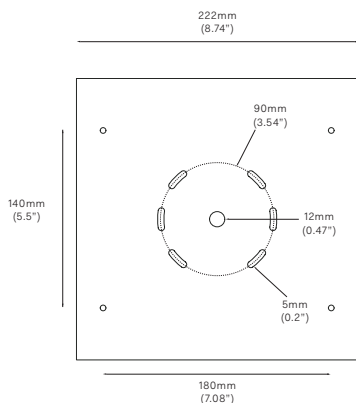
Before cleaning, lighting fixtures must be turned off and unplugged from mains electricity. Whilst cleaning please take care and use the gloves provided.

Polished Nickel-Plated Aluminium: Use a lightly damp soft dust cloth and gently go over marks until clean. Dry it afterwards with a soft dust cloth. Make sure the product is completely dry before switching the electricity on.

White Paint: Use a lightly damp soft dust cloth and gently go over marks until clean. Dry it afterwards with a soft dust cloth.

BACKPLATE DIMENSIONS

Mounting screws not included.



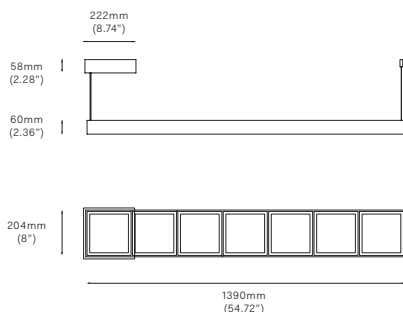


FRAME 1X7
PENDANT, 2025

Polished Nickel-Plated Aluminium
White Painted Internal Surfaces
3m flex length

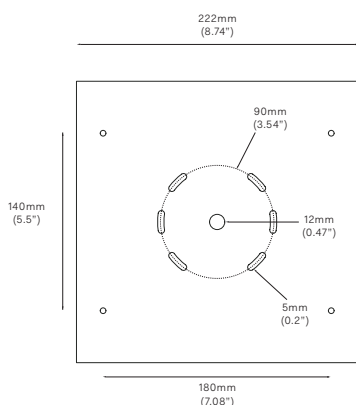


OVERALL DIMENSIONS



BACKPLATE DIMENSIONS

Mounting screws not included.



MATERIAL/FINISH



Polished Nickel-Plated Aluminium

LIGHT SOURCE SPECIFICATIONS

Integrated LED module 6W
490lm (85% down, 15% up) / 2700K / 90+CRI

PRODUCT SPECIFICATIONS

Input voltage: 120V / 240V
Maximum wattage: 42W
Total light output:
2200lm / 2700K / 90+CRI
120V / 240V dimmable LED triac, Dali2, 0/10V
Product weight: 8.5kg
IP 20 Indoor use only
(suitable for bathroom Zone 3)

Supplied with 3000mm long flex and steel cables.

CLEANING INSTRUCTIONS

Before cleaning, lighting fixtures must be turned off and unplugged from mains electricity. Whilst cleaning please take care and use the gloves provided.

Polished Nickel-Plated Aluminium: Use a lightly damp soft dust cloth and gently go over marks until clean. Dry it afterwards with a soft dust cloth. Make sure the product is completely dry before switching the electricity on.

White Paint: Use a lightly damp soft dust cloth and gently go over marks until clean. Dry it afterwards with a soft dust cloth.

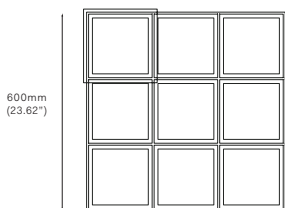
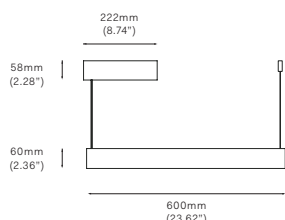


FRAME
3X3 PENDANT, 2025

Polished Nickel-Plated Aluminium
White Painted Internal Surfaces
3m flex length

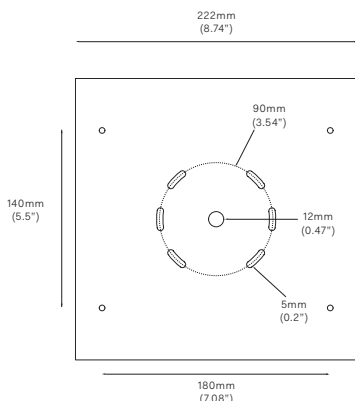


OVERALL DIMENSIONS



BACKPLATE DIMENSIONS

Mounting screws not included.



MATERIAL/FINISH



Polished Nickel-Plated Aluminium

LIGHT SOURCE SPECIFICATIONS

Integrated LED module 6W
490lm (85% down, 15% up) / 2700K / 90+CRI

PRODUCT SPECIFICATIONS

Input voltage: 120V / 240V
Maximum wattage: 42W
Total light output:
1700lm / 2700K / 90+CRI
120V / 240V dimmable LED triac, Dali2, 0/10V
Product weight: 9.5kg
IP 20 Indoor use only
(suitable for bathroom Zone 3)

Supplied with 3000mm long flex and steel cables.

CLEANING INSTRUCTIONS

Before cleaning, lighting fixtures must be turned off and unplugged from mains electricity. Whilst cleaning please take care and use the gloves provided.

Polished Nickel-Plated Aluminium: Use a lightly damp soft dust cloth and gently go over marks until clean. Dry it afterwards with a soft dust cloth. Make sure the product is completely dry before switching the electricity on.

White Paint: Use a lightly damp soft dust cloth and gently go over marks until clean. Dry it afterwards with a soft dust cloth.