



PRODUCT SHEET

Co Bar Chair, Upholstered

by Norm Architects & Els Van Hoorebeek



Co Bar Chair, Seat Upholstered

BY NORM ARCHITECTS & ELS VAN HOOREBEECK

Distinguished by its wide back, generous seat and slender frame, the Co Bar Chair is equal parts comfortable and elegant. Conceived in collaboration with Norm Architects and Els Van Hoorebeeck, the elevated design features a footrest for additional support as you sit.



PRODUCT OPTIONS

BACKREST



NATURAL OAK

DARK STAINED OAK

BLACK OAK

SEAT



WITH UPHOLSTERY

STEEL BASE



BLACK POWDER COATED STEEL

SPEC OPTIONS

Available in fabrics from our upholstery programme. Standard lead times apply.

For custom upholstery, please refer to the guiding textile/leather consumption:

COM: 5 m / 5,5 yds

COL: 10 m² / 107,7 sqft

Prices excl. custom upholstery are equal to Price Category 1 Textile or Leather. Contact Sales support for approval of custom upholstery and to place your order.

The above textile consumption is only valid for textile rolls with a width equal to or greater than 140 cm. For smaller textile rolls, please contact Sales Support for guidance. For textile with pattern, please expect a higher usage for correct pattern fitting. Please contact Sales Support for guidance.



Co Bar Chair, Seat Upholstered

BY NORM ARCHITECTS & ELS VAN HOOREBEECK

TECHNICAL SPECIFICATIONS

PRODUCT TYPE

Bar chair

COLLI

1

ENVIRONMENT

Indoor

DIMENSIONS

H: 104,5 cm / 41,14"

SH: 78,5 cm / 30,91"

W: 50,9 cm / 20,04"

D: 49,7 cm / 19,57"

PRODUCTION PROCESS

Veneered seat and backrest are made from curved plywood. CNC cut to shape parts. The core is made of beech veneer with an outer layer of oak veneer. Upholstered seat and backrest are made with an inner shell of birch plywood. The base is made of bent, welded powder coated steel tubes.

COLOUR

Backrest

Natural oak
Dark stained oak
Black oak

Seat with upholstery

Dependent upon selected upholstery

Base

Black (RAL 9005)

GLOSS

Gloss 20

MATERIALS

Backrest

Beech core plywood with oak veneer, black painted/dark stained/natural finish, with PU lacquer

Seat with upholstery

Veneer, CAL117 foam (20mm 45N / 40 kg and 10mm 32N / 40 kg), upholstery

Base

Powder coated steel

WEIGHT

6,8 kg / 15 lb

TEST

N / A

CERTIFICATIONS

Declare.

*The Declare label and LBC-approved accreditation only applies to the following upholstery: MENU Bouclé 02.

PACKAGING TYPE

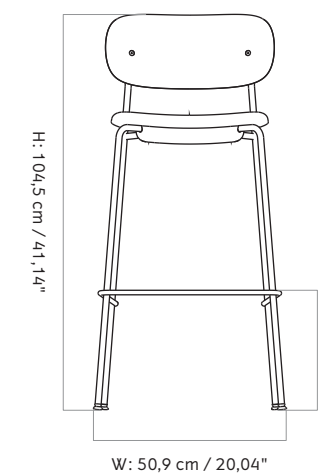
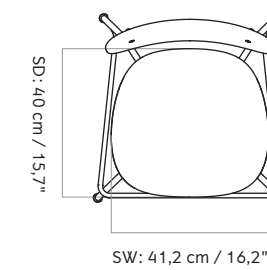
Brown box

PACKAGING MEASUREMENTS (H x W x D)

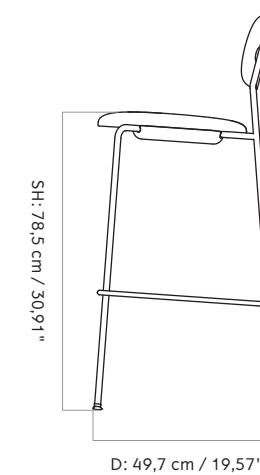
112 cm x 56 cm x 56 cm / 44,09" x 22,05" x 22,05"

MATERIALS & MAINTENANCE

Please visit [menuspace.com](https://www.menuspace.com) for materials, care and maintenance instructions.



FH: 31,6 cm / 12,44"





Co Bar Chair, Fully Upholstered

BY NORM ARCHITECTS & ELS VAN HOOREBEECK

Distinguished by its wide back, generous seat and slender frame, the Co Bar Chair is equal parts comfortable and elegant. Conceived in collaboration with Norm Architects and Els Van Hoorebeeck, the elevated design features a footrest for additional support as you sit.



PRODUCT OPTIONS

BACKREST



WITH UPHOLSTERY

SEAT



WITH UPHOLSTERY

STEEL BASE



BLACK POWDER COATED STEEL

SPEC OPTIONS

Available in fabrics from our upholstery programme. Standard lead times apply.

For custom upholstery, please refer to the guiding textile/leather consumption:

COM: 5 m / 5,5 yds

COL: 10 m² / 107,7 sqft

Prices excl. custom upholstery are equal to Price Category 1 Textile or Leather. Contact Sales support for approval of custom upholstery and to place your order.

The above textile consumption is only valid for textile rolls with a width equal to or greater than 140 cm. For smaller textile rolls, please contact Sales Support for guidance. For textile with pattern, please expect a higher usage for correct pattern fitting. Please contact Sales Support for guidance.



Co Bar Chair, Fully Upholstered

BY NORM ARCHITECTS & ELS VAN HOOREBEECK

TECHNICAL SPECIFICATIONS

PRODUCT TYPE
Bar chair

COLLI
1

ENVIRONMENT
Indoor

DIMENSIONS
H: 104,5 cm / 41,14"
SH: 78,5 cm / 30,91"
W: 50,9 cm / 20,04"
D: 49,7 cm / 19,57"

PRODUCTION PROCESS

Veneered seat and backrest are made from curved plywood. CNC cut to shape parts. The core is made of beech veneer with an outer layer of oak veneer. Upholstered seat and backrest are made with an inner shell of injection molded recycled polypropylene. The base is made of bent, welded powder coated steel tubes.

COLOUR

Seat and backrest with upholstery
Dependent upon selected upholstery

Base
Black (RAL 9005)

GLOSS
Gloss 20

MATERIALS

Seat and backrest with upholstery
Veneer, CAL117 foam (20mm 45N / 40 kg and 10mm 32N / 40 kg), upholstery

Base
Powder coated steel

WEIGHT
7 kg / 15,4 lb

TEST
N / A

CERTIFICATIONS

Declare.

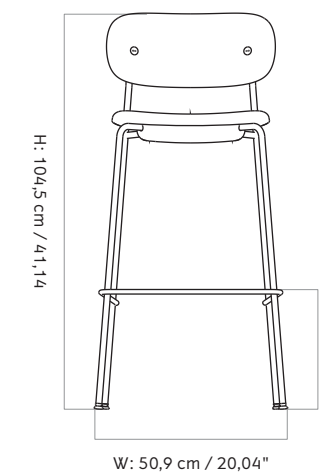
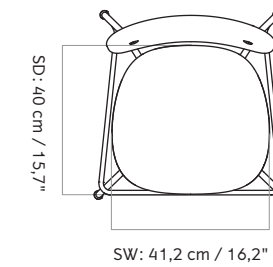
*The Declare label and LBC-approved accreditation only applies to the following upholstery: MENU Bouclé 02.

PACKAGING TYPE
Brown box

PACKAGING MEASUREMENTS (H x W x D)
112 cm x 56 cm x 56 cm / 44,09" x 22,05" x 22,05"

MATERIALS & MAINTENANCE

Please visit [menuspace.com](https://www.menuspace.com) for materials, care and maintenance instructions.



FH: 31,6 cm / 12,44"

