

Naviglio

Design:

PIERO LISSONI
1995



+ info: <https://www.depadova.com/materials.pdf>
De Padova srl - info@depadova.it

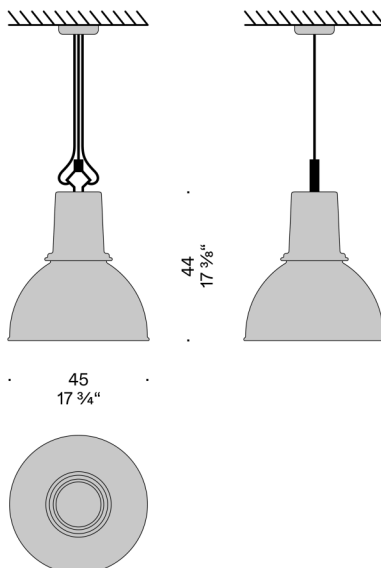
PENDANT LAMP

Materials

Lamp body
cream-coloured liquid painted spun aluminium, or exterior part 'soft touch' powder-coated in black, Comodoro green, Nevada red and interior part liquid-painted in cream colour.

Control

dimmer not included in the lamp.



EU

INPUT 220÷240V - 50/60Hz
BULB LED E27, max 21W

USA

INPUT 100÷120V - 50/60Hz
BULB LED E26, max 21W



Naviglio

Design:

PIERO LISSONI
1995



+ info: <https://www.depadova.com/materials.pdf>
De Padova srl - info@depadova.it

LAMPADA A SOSPENSIONE

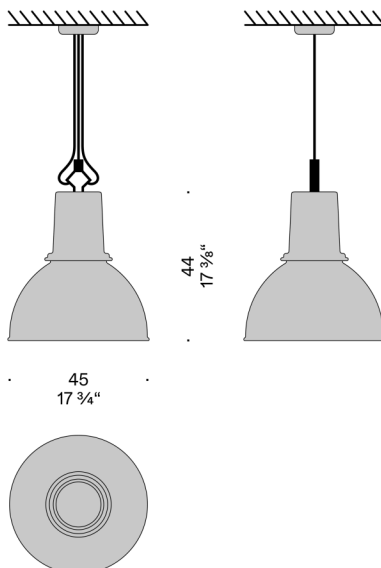
Materiali

Corpo lampada

alluminio tornito in lastra, verniciato a liquido color panna oppure esterno verniciato a polvere color nero, verde Comodoro "soft touch", rosso Nevada e interno verniciato a liquido color panna.

Controllo

dimmer non incluso nella lampada.



EU

INPUT 220÷240V - 50/60Hz
BULB LED E27, max 21W

USA

INPUT 100÷120V - 50/60Hz
BULB LED E26, max 21W



Naviglio

Design:
PIERO LISSONI
1995



+ info: <https://www.depadova.com/materials.pdf>
De Padova srl - info@depadova.it

LAMPE À SUSPENSION

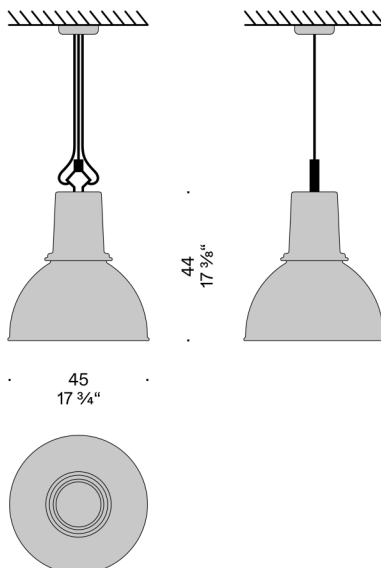
Matériaux

Corps lampe

aluminium tourné en plaque, peint liquide couleur crème ou extérieur peint à poudre couleur noir, vert Comodoro "soft touch", rouge Nevada et intérieur peint liquide couleur crème.

Contrôle

gradateur non inclus dans la lampe.



EU

INPUT 220÷240V - 50/60Hz
BULB LED E27, max 21W

USA

INPUT 100÷120V - 50/60Hz
BULB LED E26, max 21W



Naviglio

Design:

PIERO LISSONI
1995



+ info: <https://www.depadova.com/materials.pdf>
De Padova srl - info@depadova.it

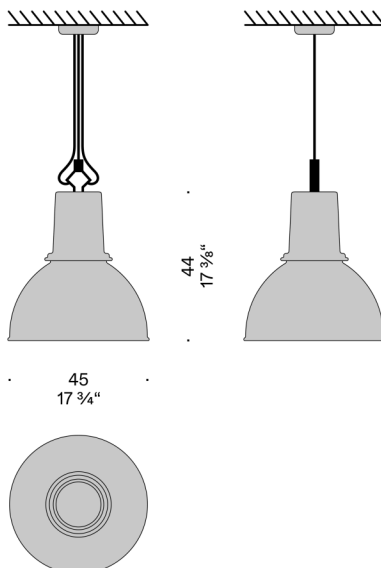
HÄNGELEUCHTE

Materialien

Leuchtenkörper
aus nasslackiertem Aluminium cremefarbig, gedrehte Schicht, oder Außenteil
pulverlackiert "Soft Touch" in schwarz, Comodoro grün, Nevada rot und
Innenteil nasslackiert in cremefarben.

Steuerung

Dimmer nicht in der Leuchte enthalten.



EU

INPUT 220÷240V - 50/60Hz
BULB LED E27, max 21W

USA

INPUT 100÷120V - 50/60Hz
BULB LED E26, max 21W



Naviglio

Design:

PIERO LISSONI
1995



+ info: <https://www.depadova.com/materials.pdf>
De Padova srl - info@depadova.it

LÁMPARA DE SUSPENSIÓN

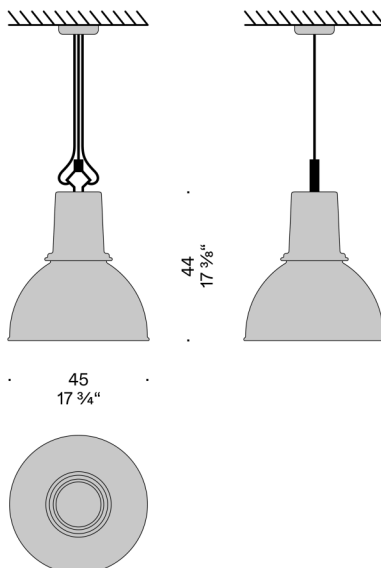
Materiales

Cuerpo lámpara

chapa de aluminio torneada, pintada en líquido color nata o exterior pintado en polvo negro, verde Comodoro "soft touch", rojo Nevada e interior pintado en líquido color nata.

Control

dimmer no incluido en la lámpara.



EU

INPUT 220÷240V - 50/60Hz
BULB LED E27, max 21W

USA

INPUT 100÷120V - 50/60Hz
BULB LED E26, max 21W

